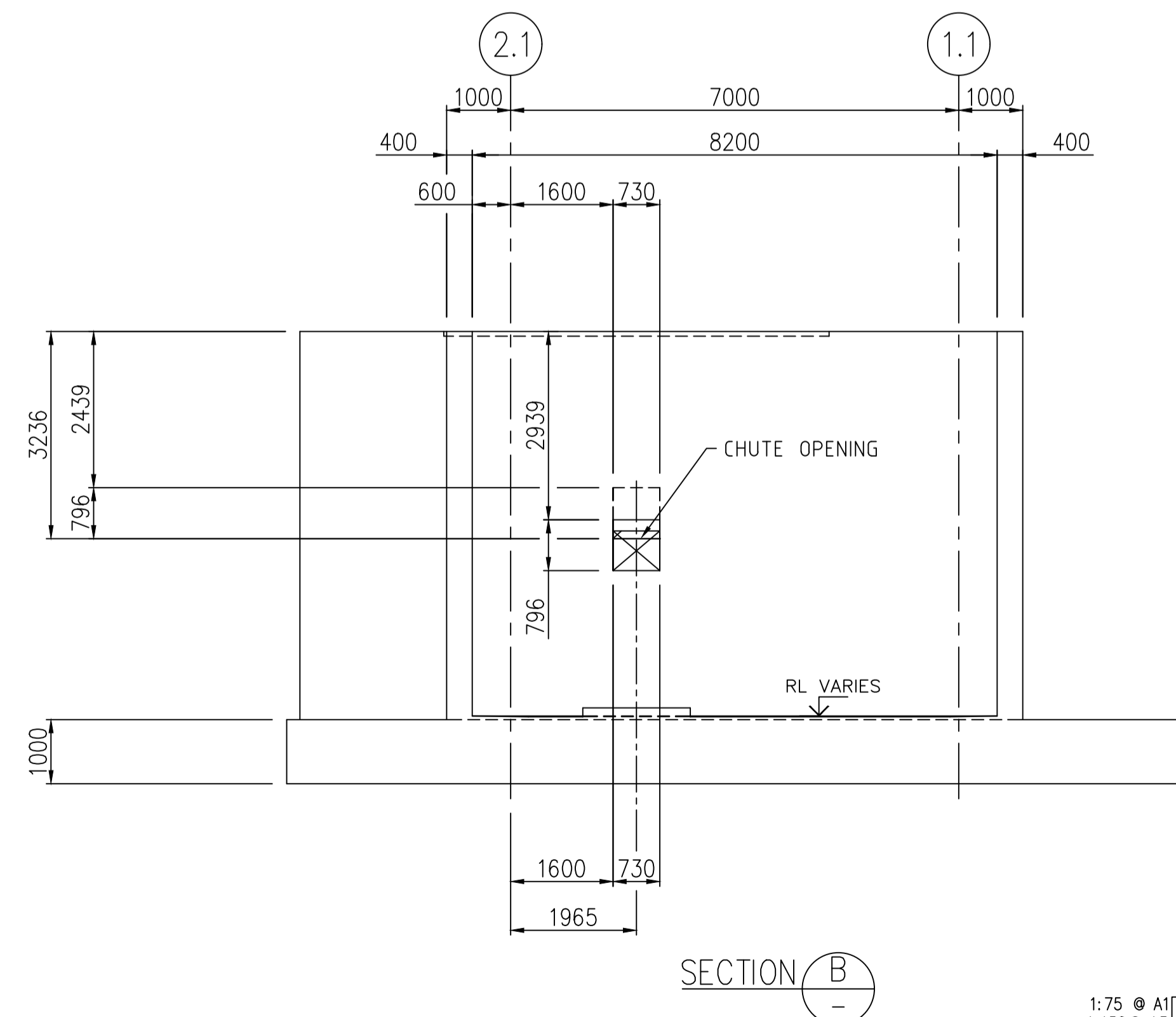
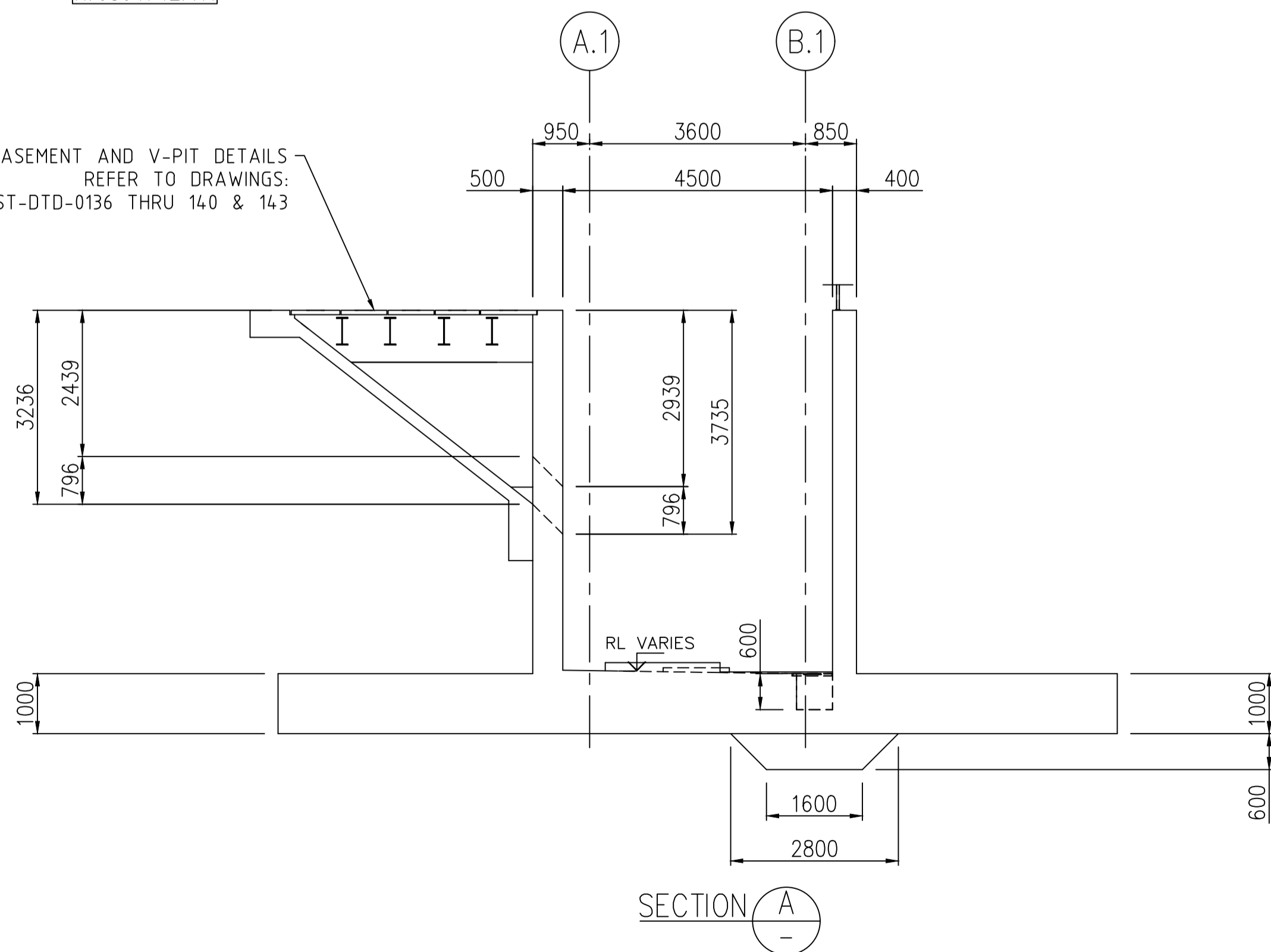


FOR BASEMENT AND V-PIT DETAILS
REFER TO DRAWINGS:
358-ENG-ST-DTD-0136 THRU 140 & 143



1:75 @ A1
1:150 @ A3

COPYRIGHT ©
THIS DRAWING AND THE CONTENTS DEPICTED OR WRITTEN THEREON, WHETHER IN WHOLE OR IN PART, IS THE EXCLUSIVE INTELLECTUAL PROPERTY OF CBH GROUP AND SHOULD NOT BE REPRODUCED OR USED FOR ANY PURPOSE WITHOUT THE PRIOR WRITTEN APPROVAL OF CBH GROUP.



REF DRAWING No.	REFERENCE DRAWING TITLE	REV	DATE	REVISION DESCRIPTION	BY	CHK'D	APP'D
358-ENG-ST-DTD-0140	ELEVATOR BASEMENT & V-PIT-SECTIONS & DETAILS - SHEET 2 OF 2						
358-ENG-ST-DTD-0139	ELEVATOR BASEMENT & V-PIT-SECTIONS & DETAILS - SHEET 1 OF 2						
358-ENG-ST-DTD-0138	ELEVATOR BASEMENT - REINFORCEMENT DETAILS SHEET 2 OF 2	C	02JUL24	RE-ISSUED FOR REVIEW	R.G.	J.R.	S.P.
358-ENG-ST-DTD-0137	ELEVATOR BASEMENT - REINFORCEMENT DETAILS SHEET 1 OF 2	B	30MAY24	RE-ISSUED FOR REVIEW	R.G.	S.D.	S.P.
358-ENG-ST-DTD-0136	ELEVATOR BASEMENT & V-PIT-GENERAL ARRANGEMENT-PLANS	A	15DEC23	ISSUED FOR REVIEW	J.C.	P.F.	D.M.

SCALE	DRAWN	CHECKED	DESIGNED	DESIGN APPR	PROJECT APPR
1:75	R.G.	S.C.M.	P.F.	D.M.	
A1					

TITLE	DRG No.	SHEET	REV.
KONNONGORRING ORB GRAIN LOADING FACILITY ELEVATOR - BASEMENT GENERAL ARRANGEMENT	358-ENG-ST-DGA-0003	1 OF 1	C