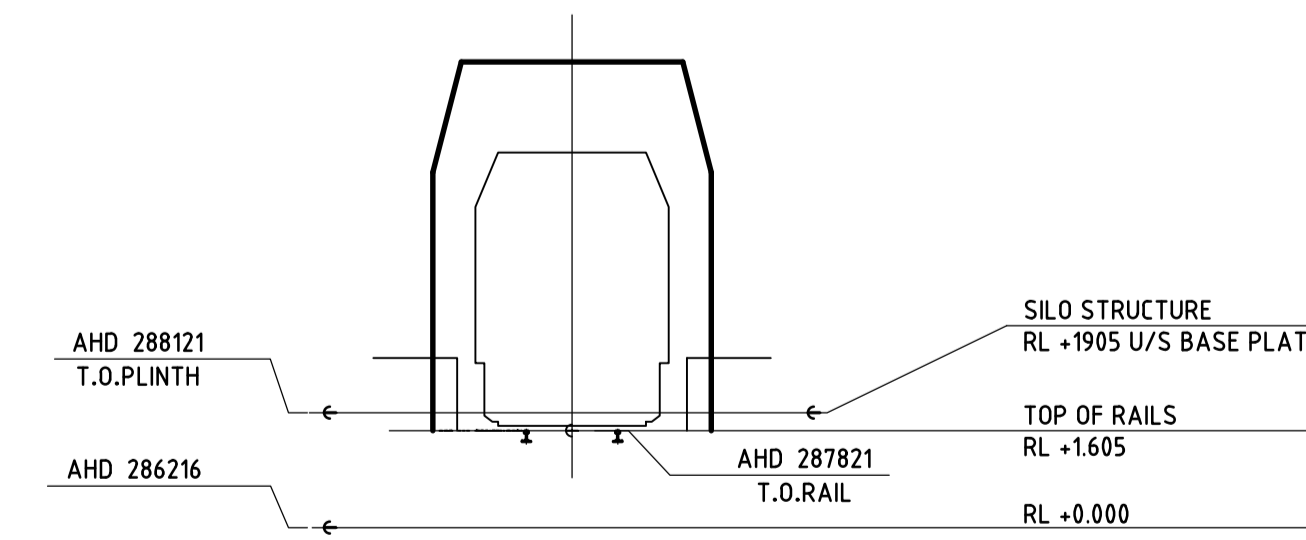
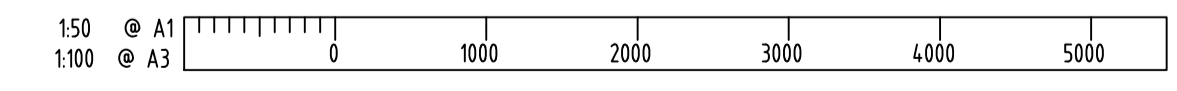


PLAN AT LOWER SILO WALKWAY AT RL. 8.032 T.O.S



AHD RL TO PROJECT RL CONVERSION



COPYRIGHT ©
THIS DRAWING AND THE CONTENTS DEPICTED OR WRITTEN THEREON, WHETHER IN WHOLE OR IN PART, IS THE EXCLUSIVE INTELLECTUAL PROPERTY OF CBH GROUP AND SHOULD NOT BE REPRODUCED OR USED FOR ANY PURPOSE WITHOUT THE PRIOR WRITTEN APPROVAL OF CBH GROUP.



REV	DATE	REVISION DESCRIPTION	BY	CHK'D	APP'D
D	27MAY24	RE- ISSUED FOR REVIEW	R.G.	S.C.M.	S.P.
C	03MAR24	RE- ISSUED FOR REVIEW	S.C.M.	S.D.	P.A.B
B	26APR24	RE- ISSUED FOR REVIEW	R.B	S.D.	P.A.B
A	13NOV23	ISSUED FOR REVIEW	JC	SD	SM

SCALE	1:50
SHEET	A1
PROJECT	10293.400
CONTRACT No	M-3057

DRAWN	R.B	26.03.24	TITLE KONNONGORRING ORB GRAIN LOADING FACILITY PLAN AT LOWER SILO WALKWAY
CHECKED	V.P	26.03.24	
DESIGNED	S.D.	26.03.24	
DESIGN APPR	P.A.B	26.03.24	
PROJECT APPR	XXXX	XXXX	ORG No 358-ENG-ME-DAL-0003
			SHEET 1 OF 1
			REV. D

DO NOT SCALE FROM THIS DRAWING